



QUICK MANUAL

grandMA3

onPC fader wing

english | deutsch | français



Table of contents

Intended Use	4
Safety	5
Support	11
Transport	13
Limitations	14
Quick Start	15
Maintenance	18
Disposal	19
Technical Data	20
Declaration of Conformity	22

3

Intended Use

The grandMA3 onPC fader wing controls all kinds of lighting genres such as conventional, moving lights, LEDs, video, and media via DMX signal or within a network environment.

All grandMA3 components, despite different hardware solutions, use the same software.

All components are fully integrable into the network environment.

Use all grandMA3 components and accessories within closed rooms and in the permissible environmental conditions only. Installation and connection of the devices are explicitly to be carried out by trained personnel in compliance with all safety regulations.

3

- Intended Use
- Safety
- Support
- Transport
- Limitations
- Quick Start
- Maintenance
- Disposal
- Technical Data
- Declaration of Conformity

Safety

Symbols and Warning Labels



Warning – Danger area



Caution – Risk of electric shock

Risk of Electric Shock

The device is to be serviced by qualified personnel only as live parts may be exposed when opening and/or removing coverings.

Touching live parts may cause electric shock.



3

Intended Use

Safety

Support

Transport

Limitations

Quick Start

Maintenance

Disposal

Technical Data

Declaration of Conformity



Dispose of as hazardous waste. Follow the applicable regulations. For more information see **Disposal**.



Declaration of conformity. For more information see **Conformity**.



Operating voltage ON/OFF.



Warning:

The device has to be grounded.

Do not ignore the safety purpose of the grounding-type plug. A grounding-type plug has two blades and a third grounding connection. The third connection is provided for your safety.

Read all the instructions in this Quick Manual thoroughly, especially the **General Safety Instructions** further down and **Limitations**.

Intended Use

Safety

Support

Transport

Limitations

Quick Start

Maintenance

Disposal

Technical Data

Declaration of Conformity

Follow the instructions and keep this Quick Manual for future use.

Follow all cautions and warnings stated in this Quick Manual and indicated on the device.



Important:

All repair and service work has to be exclusively performed by qualified service technicians.

- This device is state-of-the-art technology.
- However, residual risks cannot be ruled out.
- To avoid risks, follow the safety instructions.
- This device is intended for professional use only and is not suitable for residential use.

MA Lighting Technology GmbH does not bear the damage which may occur due to the inobservance of the safety instructions.



Warning:

Changes or modifications to this device not expressly approved by the party responsible for the compliance could void the user's authority to operate it.

Intended Use

Safety

Support

Transport

Limitations

Quick Start

Maintenance

Disposal

Technical Data

Declaration of Conformity

**Note:**

These devices have been tested and found to comply with the limits of a Class A digital device, pursuant to Part 15 of the FCC Rules and the CE Standards. These limits are designed to provide reasonable protection against possible interference when the devices are operated in a commercial environment. These generate, use, and can radiate radio frequency energy and, if not installed and used in accordance with this Quick Manual, may possibly cause interference to radio communications.

The operation of these devices in a residential area is likely to cause interference in which case the user will be required to correct the interference at their own expense.

Avoid Risks Caused by Electric Current

A defective device or defective power cable can cause severe or fatal injury due to electrical shock.

Follow the safety instructions to avoid the risks caused by electric current.

- Do not use a defective power cable;
- Do not open screwed down covers from the housing;
- Use the device only if it is in a technically impeccable condition;
- Do not repair the device on your own;
- Do not reverse engineer the device, and make any changes to its components, and accessories;
- Do not expose the device to rain or moisture;
- Do not submerge the device in water.

Intended Use

Safety

Support

Transport

Limitations

Quick Start

Maintenance

Disposal

Technical Data

Declaration of Conformity

General Safety Instructions



Important:

The device plug and the power plug of the supply line serve as a separator.

- To disconnect the power supply, disconnect the device plug and / or the power plug.

To avoid injury or damage to the device:

- Do not put your hands inside the device during operation;
- Device and power cable must be kept away from children under the age of 8;
- Children are not allowed to play with the device;
- Disconnect the power supply from electric voltage during thunderstorms;
- Disconnect the power supply from electric voltage if it is unattended for a longer period of time;
- Disconnect the power supply before cleaning the device;
- Do not use any liquid or spray cleaner. Use a dry cloth only;
- Do not use the device in the vicinity of water;
- Do not expose it to a humid environment;
- Do not pour any liquids over the device.
- Do not block or cover any ventilation holes in the housing. These are essential for the airflow within the device and protect the device from overheating;
- Do not insert any objects into the ventilation holes of the device as these could get in contact with live parts or could cause short circuits, fire and/or an electric shock;
- Do not place any objects on the power cable. Protect it from being walked on or pinched, particularly at the connector and where the cables exit the device;
- When using an extension cable, make sure the rated output of all devices connected in series does not exceed the maximum rated output of the extension cable;
- Do not support yourself on the device;
- Do not place any heavy objects on top of the device;
- Do not use excessive force on keys, buttons, faders, dual encoders, knobs, switch, connector;

Intended Use

Safety

Support

Transport

Limitations

Quick Start

Maintenance

Disposal

Technical Data

Declaration of Conformity

3

- If the power cable or the main power plug are defective, let a qualified technician replace it immediately;
- Place the device on stable surfaces only. If it is placed on unstable surfaces, it may fall and break.
- Only use power cables which are safety-marked;
- Do not use any high-power walkie-talkies or cell phones near the device;
- The device is provided with a safety plug. This plug can only be used with safety outlets.
- As with all industrially manufactured goods, the use of substances that induce an allergic reaction such as aluminum cannot be generally excluded. If you develop an allergic reaction (such as a skin rash, frequent sneezing, red eyes or respiratory difficulties), consult a physician immediately to determine the cause.

If one of the following conditions occurs, disconnect the main power plug and call your local distributor or the technical support!

- Power cable or main power plug is damaged or worn;
- Ingress of liquids;
- The device was exposed to rain or high ambient humidity;
- The device does not function properly, even if you followed all the instructions of this Quick Manual. Only operate the controls as stated in the Quick Manual. Incorrect control settings may damage the device;
- The device fell damaging the housing.

Intended Use

Safety

Support

Transport

Limitations

Quick Start

Maintenance

Disposal

Technical Data

Declaration of Conformity

Support

Contact us for any questions about your MA product.

MA Lighting and its extensive distributor network offer unparalleled technical support. Call on our expertise for help with any problem, no matter if it is about the operation, software features, software installations, or troubleshooting.

Help Pages

The help pages are included in every software installer package and are automatically loaded into the software. To access and read the help pages, press **Help** + **Please**. The help pop-up opens on the main screen.

To jump directly into a special help topic, use the context-sensitive help:

- Press and hold **Help** and tap the desired user interface element (UI element) to open the corresponding help topic.
- Tap **?** in the control bar and tap a UI element to open the corresponding help topic.

Online Manuals

All MA product-related manuals are available as online versions. Just select your MA product and click on the respective link. All further documents can be found in our download area. Go to <https://www.malighting.com/training-support/online-manuals>.

Video Tutorials

Get tips and tricks from our MA experts on your MA product.

MA offers a whole range of videos on how to use your MA product in the best possible way. Just select your series and click on the links to watch the videos on our YouTube channel. Go to <https://www.malighting.com/training-support/video-tutorials>.

Community

Share your knowledge and get help from other MA users.

A community can be stronger and better than the individual. Be part of the MA community! Go to <https://www.malighting.com/training-support/community>.

3

Intended Use

Safety

Support

Transport

Limitations

Quick Start

Maintenance

Disposal

Technical Data

Declaration of Conformity

Fixture Shares

In our MA Fixture Share you will find a comprehensive database of different fixture types for grandMA3, grandMA2, and dot2. You can also find the grandMA2 GDTF Converter there. Simply upload the GDTF file and it will be converted into a grandMA2 Fixture Profile.

The GDTF Share contains a comprehensive library of all available GDTF files with all relevant modes and firmware versions. Like the MA Fixture Share, this database is continuously updated.

For more information see: <https://www.malighting.com/training-support/fixture-shares>

Local Support

If you have a question regarding your MA Lighting product, please first of all contact your local MA product specialists.

Central Support

If you are in need of further assistance or manufacturer support, please fill out an email request on www.malighting.com in Training and Support. Your request will automatically be sent to support@malighting.com (in English or German). This email service is monitored during MA Lighting's regular business hours in Germany from 8.30 am until 5 pm, Monday through Friday.

Emergency Hotline

In any case of a show critical emergency please contact the MA Lighting support hotline.

Phone +49 5251 68 88 65 99

Please note that this 24/7 hotline is strictly for emergency cases.

Intellectual Property

MA Lighting Technology has registered multiple patents, trademarks, design patents, and utility models for its products. We will take legal action against the violation of this intellectual property.

For more information see: <https://www.malighting.com/intellectual-property>

Intended Use

Safety

Support

Transport

Limitations

Quick Start

Maintenance

Disposal

Technical Data

Declaration of Conformity

Transport

- The grandMA3 onPC fader wing must be protected from environmental factors such as physical shocks and vibration during transportation;
- Remove all cables before transport;
- The user is responsible for securely fastening the products for transport and for following the manufacturer's safety instructions when transporting the device;
Noncompliance with the safety instructions can result in personal injury or material damage;
- Do not place the grandMA3 onPC fader wing on unstable surfaces;
- Do not place any objects on top of the grandMA3 onPC fader wing.



Warning:

Pay attention to temperature and humidity during transport. For more information see **Limitations**.

After the transport check the device.

If the device is damaged (dented, bent, or broken), do not connect the grandMA3 onPC fader wing to power!

3

Intended Use

Safety

Support

Transport

Limitations

Quick Start

Maintenance

Disposal

Technical Data

Declaration of Conformity

Limitations

Operation:

0 °C up to 40 °C / 32 °F up to 104 °F



Caution:

Higher temperatures can stress the cooling system of the device and destroy hardware components.

Storage / Transport:

-10 °C up to +50 °C / 14 °F up to 122 °F

Humidity

Operation:

20 % up to 90 % relative humidity (no condensation)

Storage / Transport:

10 % up to 90 % relative humidity (no condensation)

Environment

- Follow all safety instructions;
- Only use the device within its operating limits;
- Only use the device indoors;
- Air must be free of dust and any hazardous or explosive substances;
- Avoid jolting;
- This device is not protected against splash water. Do not use it near water;
- Do not use the device in rain or moisture;
- Do not place the device where it can come in contact with corrosive gases or saline air as this can cause maloperation.

3

Intended Use

Safety

Support

Transport

Limitations

Quick Start

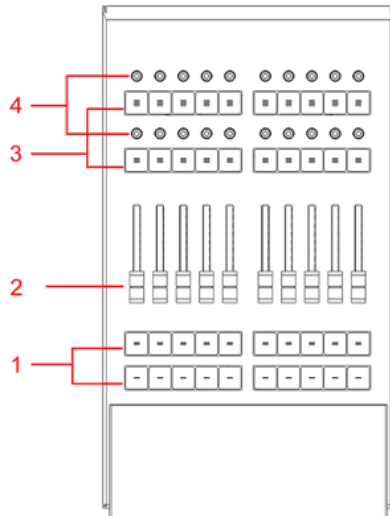
Maintenance

Disposal

Technical Data

Declaration of Conformity

Quick Start



grandMA3 onPC fader wing front panel

1. Executor buttons 101-190 + 201-290
2. Executor faders 201-290
3. Executor buttons 301-390 + 401-490
4. Executor knobs 301-390 + 401-490

For more information about executors, see **Executor elements**.

3

Intended Use

Safety

Support

Transport

Limitations

Quick Start

Maintenance

Disposal

Technical Data

Declaration of Conformity

3

Connect and Power Up the Device

1. Unpack the device.
2. Remove the packaging and cushioning material.
3. Place the device indoors on a stable surface.
4. Download the grandMA3 onPC software on www.malighting.com
5. Install the software on your PC or laptop. For minimum requirements see **System Requirements** grandMA3 in the grandMA3 user manual.
6. Connect the grandMA3 onPC fader wing with your command wing XT, PC or laptop using a USB cable.
7. Start the command wing XT, PC or laptop .
8. Switch on the grandMA3 onPC fader wing:
 - Insert the IEC connector into the corresponding jack.
 - Connect the main power plug.
 - Turn on the power switch:
 - Set it to position I.
 - The power switch lights up in red.

Turn off the grandMA3 onPC fader wing

To turn off the grandMA3 onPC fader wing set the power switch to position 0.



Important:

- Show data is only saved in the grandMA3 onPC software.
- For updates use the grandMA3 onPC software.



Important:

You can disconnect the grandMA3 onPC fader wing using the grandMA3 onPC software. The DMX output will then be interrupted immediately.

Intended Use

Safety

Support

Transport

Limitations

Quick Start

Maintenance

Disposal

Technical Data

Declaration of Conformity

3

Different Combinations

Device	Connected To	Parameters
grandMA3 onPC fader wing +	PC/laptop	4 096
grandMA3 onPC fader wing +	PC/laptop + grandMA3 onPC 8/4/2Port Node	4 096
grandMA3 onPC fader wing +	PC/laptop + grandMA3 processing unit M/L/XL	4 096



Important:

Independent of the devices connected to the grandMA3 onPC software, the number of parameters can only reach a maximum of 4 096.

For more information see: ***Expand the Amount of Parameters topic***

Intended Use

Safety

Support

Transport

Limitations

Quick Start

Maintenance

Disposal

Technical Data

Declaration of Conformity

Maintenance



All repair and service work has to be exclusively performed by qualified service technicians as live parts may be exposed when opening and / or removing coverings. Touching live parts may cause electric shock.



The intervals between maintenance may differ depending on the frequency of transport and the operational environment

- Disconnect the power supply before cleaning;
- Clean the surface with dry cloth only;
- Do not use liquid cleanser or compressed air;
- Do not use solvent;
- Depending on the environment, we recommend to professionally clean the device every 2 to 5 years.

3

Intended Use

Safety

Support

Transport

Limitations

Quick Start

Maintenance

Disposal

Technical Data

Declaration of Conformity

Disposal

According to the directive 2011/65 EU (RoHS) the device was produced in the European Union, and is hence to be disposed of as stated in the directive.

If the device is used within the European Union, follow the directive WEEE 2012/19/EU.

If the device is used outside the European Union, the corresponding country's waste disposal regulations apply.

3

Intended Use

Safety

Support

Transport

Limitations

Quick Start

Maintenance

Disposal

Technical Data

Declaration of Conformity

Technical Data

3



Important:

Only use adequately protected power cables (min. $\varnothing = 3 \times 1.0 \text{ mm}^2$).

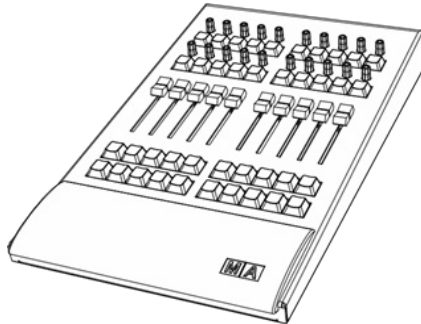
The required power cable must meet the country's standards.

Only qualified personnel is allowed to perform work on the power cable!



Power cable and connector are not included in the delivery.

- DMX: The maximum length of the cable is 350 m (in ideal conditions).



grandMA3 onPC fader wing front panel

Intended Use

Safety

Support

Transport

Limitations

Quick Start

Maintenance

Disposal

Technical Data

Declaration of Conformity

3

Intended Use

Safety

Support

Transport

Limitations

Quick Start

Maintenance

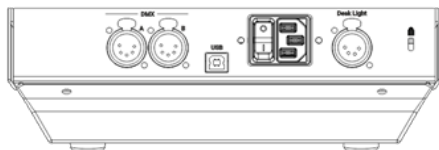
Disposal

Technical Data

Declaration of Conformity

Technical Data	
Parameters	4 096 (HTP/LTP)
Operating voltage	100-240 V AC, 50/60 Hz
Net weight	5 kg / 11 lbs
Power	max. 50 VA
Dimensions	240 x 427 x 102 mm / 10 x 17 x 4 in

Outputs grandMA3 onPC fader wing



grandMA3 onPC fader wing rear panel

Number	Connector
1 x	USB 2.0 (type B)
2 x	DMX512-A OUT (5pin XLR female)
1 x	IEC connector
1 x	LED desk light (4pin XLR female)

Declaration of Conformity

CE and FCC Standards and Approvals

Manufacturer:

MA Lighting Technology GmbH

Dachdeckerstraße 16
97297 Waldbüttelbrunn
GERMANY

declares that the product

Name of product:

- grandMA3 onPC fader wing
-

is conform to the following directives and harmonized standards

Safety:

2014/35/EU (Low Voltage Directive)

- IEC/EN/UL 62368-1:2014
 - CAN/CSA-C22. No. 62368-1:2014
-

EMC – Electromagnetic Compatibility:

FCC

- 47 CFR, Part 15, Subpart B: 2019 (Class A)

2014/30/EU

- EN55032:2016-02 (Class A)

3

Intended Use

Safety

Support

Transport

Limitations

Quick Start

Maintenance

Disposal

Technical Data

Declaration of Conformity

- Intended Use
- Safety
- Support
- Transport
- Limitations
- Quick Start
- Maintenance
- Disposal
- Technical Data
- Declaration of Conformity

- EN61000-3-2
- EN55035:2018-04

RoHS:

2011/65/EU (RoHS II)

- EN50581:2012
- WEEE-Reg.-NR. DE 14150988

Additional information:

All data lines and signal lines must be shielded and the shielding must be connected to the grounding or the housing of the connector.

Waldbüttelbrunn, July 28, 2020

Dipl.-Ing. Michael Adenau (CEO)



3

Inhalt

Verwendungszweck	26
Sicherheit	27
Support	33
Transport	35
Betriebsgrenzen	36
Quick Start	37
Wartung	41
Entsorgung	42
Technische Daten	43
Konformitätserklärung	45

3

Verwendungszweck

Bestimmungsgemäße Verwendung

Der grandMA3 onPC fader wing steuert alle Arten von Lichttechnik wie konventionelles Licht, intelligentes Licht, LED, Video und ähnliche Medien mit Hilfe von DMX-Signalen oder in einer Netzwerkumgebung.

Alle grandMA3 Komponenten verwenden die gleiche Software, ungeachtet unterschiedlicher Hardware.

Sämtliche Komponenten können komplett ins Netzwerk integriert werden.

Alle grandMA3 Komponenten und Zubehör dürfen ausschließlich in geschlossenen Räumen und innerhalb zulässiger Umgebungsbedingung verwendet werden. Installation und Anschluss von Geräten dürfen nur vom geschulten Personal, unter Einhaltung aller Sicherheitsvorschriften, durchgeführt werden.

3

Verwendungszweck

Sicherheit

Support

Transport

Betriebsgrenzen

Quick Start

Wartung

Entsorgung

Technische Daten

Konformitätserklärung

Sicherheit

Symbole und Warnzeichen



Warnung – Gefahrenbereich



Vorsicht– Stromschlaggefahr

Stromschlaggefahr

Die Wartung des Gerätes darf ausschließlich vom geschulten Personal durchgeführt werden, da beim Öffnen und/oder Entfernen von Abdeckungen spannungsführende Teile freigelegt werden könnten. Spannungsführende Teile nicht berühren – Gefahr eines elektrischen Schlages.



3

Verwendungszweck

Sicherheit

Support

Transport

Betriebsgrenzen

Quick Start

Wartung

Entsorgung

Technische Daten

Konformitätserklärung



Das Gerät ist als Sondermüll zu entsorgen. Die örtlichen Vorschriften beachten. Für weitere Informationen siehe **Entsorgung**.



Konformitätserklärung. Für weitere Informationen siehe **Konformität**.



Betriebsspannung AN/AUS.



Warnung:

Das Gerät muss geerdet sein.

Nicht den Sicherheitszweck eines Schutzkontaktsteckers ignorieren. Ein Schutzkontaktstecker hat zwei Stromkontakte und einen dritten Erdungskontakt. Der dritte Erdungskontakt dient Ihrer Sicherheit.

Alle Anweisungen in diesem Quick Manual aufmerksam durchlesen, vor allem die **Allgemeinen Sicherheitsanweisungen** weiter unten in diesem Kapitel und die **Betriebsgrenzen**.

3

Verwendungszweck

Sicherheit

Support

Transport

Betriebsgrenzen

Quick Start

Wartung

Entsorgung

Technische Daten

Konformitätserklärung

Das Quick Manual für den späteren Gebrauch aufbewahren.

Alle Vorsichtsmaßnahmen und Warnhinweise, die in diesem Quick Manual und am Gerät vermerkt sind, befolgen.



Wichtig:

Sämtliche Reparatur- und Wartungsarbeiten dürfen ausschließlich vom geschulten Personal durchgeführt werden.

Dieses Gerät entspricht dem neusten Stand der Technik, trotzdem kann ein Restrisiko nicht komplett ausgeschlossen werden.

Um dieses Restrisiko zu vermeiden, befolgen Sie die Sicherheitsanweisungen.

Dieses Gerät ist nur für den professionellen Gebrauch bestimmt und nicht für den Privatgebrauch geeignet.

MA Lighting Technology GmbH kommt für den Schaden nicht auf, der aufgrund von Nichtbeachtung der Sicherheitsanweisungen entstehen könnte.



Warnung:

Durch den Nutzer herbeigeführte Modifikationen an diesen Geräten, die nicht ausdrücklich von der für die Übereinstimmung verantwortlichen Stelle genehmigt wurden, führen zum Verbot der Benutzung der Geräte.

[Verwendungszweck](#)

[Sicherheit](#)

[Support](#)

[Transport](#)

[Betriebsgrenzen](#)

[Quick Start](#)

[Wartung](#)

[Entsorgung](#)

[Technische Daten](#)

[Konformitätserklärung](#)



Wichtig:

Diese Geräte wurden getestet und entsprechen den Grenzwerten eines digitalen Geräts der Klasse A gemäß der FCC-Bestimmungen Teil 15 und der CE-Regularien. Diese Grenzwerte bieten im professionellen Betrieb einen angemessenen Schutz gegen störende Interferenzen. Die Geräte erzeugen, verwenden und strahlen möglicherweise Funkwellen aus. Wenn sie nicht gemäß dieser Anleitung installiert und verwendet werden, können sie den Funkverkehr stören. Der Betrieb dieser Geräte im privaten, häuslichen Bereich kann u. U. Funkstörungen verursachen. In diesem Fall muss der Benutzer die Störungen selbst beheben.

Vermeiden von Stromschlag

Ein beschädigtes Gerät oder Netzkabel kann schwere oder tödliche Verletzungen verursachen.

Befolgen Sie die Sicherheitsanweisungen, um Verletzungen, die durch elektrischen Strom verursacht werden können, zu vermeiden.

- Kein beschädigtes Netzkabel nutzen.
- Keine festgeschraubten Abdeckungen am Gehäuse öffnen.
- Gerät nur im technisch einwandfreien Zustand nutzen.
- Gerät niemals selbst reparieren.
- Gerät nicht modifizieren und keine Änderungen an dessen Komponenten und Zubehör vornehmen.
- Gerät nicht Regen oder Feuchtigkeit aussetzen.
- Gerät nicht in Wasser tauchen.

Verwendungszweck

Sicherheit

Support

Transport

Betriebsgrenzen

Quick Start

Wartung

Entsorgung

Technische Daten

Konformitätserklärung

Allgemeine Sicherheitsanweisungen



Wichtig:

Der Gerätestecker und der Netzstecker der Zuleitung dienen als Trennvorrichtung. Ziehen Sie den Geräte- und/oder Netzstecker um das Gerät spannungsfrei zu schalten.

Um Verletzungen vorzubeugen oder Schäden am Gerät zu vermeiden:

- Beim Bedienen nicht in das Gerät hineingreifen.
- Gerät und Netzkabel von Kindern unter 8 Jahren fernhalten.
- Kinder nicht mit dem Gerät spielen lassen.
- Bei Gewitter das Gerät spannungsfrei schalten.
- Bei längerer Nichtverwendung das Gerät spannungsfrei schalten.
- Vor dem Reinigen das Gerät spannungsfrei schalten.
- Keine flüssigen Reinigungsmittel oder Sprühreiniger verwenden.
- Nur mit einem trockenen Tuch reinigen.
- Gerät nicht in der Nähe von Wasser nutzen.
- Gerät nicht einer feuchten Umgebung aussetzen.
- Keine Flüssigkeiten auf das Gerät schütten.
- Belüftungsöffnungen im Gehäuse nicht blockieren – diese sind für den Luftstrom innerhalb des Gerätes wichtig und schützen es vor Überhitzung.
- Keine Fremdkörper in die Belüftungsöffnungen stecken, da diese mit spannungsführenden Teilen in Kontakt kommen und Kurzschlüsse, Feuer und/oder Stromschlag verursachen können.
- Keine Gegenstände auf das Netzkabel stellen; Nicht auf das Netzkabel treten oder zusammendrücken, besonders am Stecker und an Stellen an denen die Kabel das Gehäuse verlassen.
- Wird ein Verlängerungskabel genutzt, muss sichergestellt werden, dass die Summe der Nennleistungen der an das Kabel angeschlossenen Geräte die Nennleistung des Verlängerungskabels nicht überschreitet.
- Sich nicht mit dem Körpergewicht auf dem Gerät abstützen.
- Keine schweren Gegenstände auf dem Gerät abstellen.

Verwendungszweck

Sicherheit

Support

Transport

Betriebsgrenzen

Quick Start

Wartung

Entsorgung

Technische Daten

Konformitätserklärung

3

- Keine übermäßige Gewalt auf Tasten, Knöpfe, Fader, Drehknöpfe, Schalter, Verbindungen oder Monitor Wing ausüben.
- Ist das Netzkabel oder der Stecker beschädigt, müssen diese umgehend von einer Fachkraft ausgetauscht werden.
- Gerät nur auf stabilen Oberflächen platzieren; Wird es auf instabilen Flächen platziert, kann das Gerät herunterfallen und stark beschädigt werden.
- Nur Netzkabel mit Sicherheitsprüfzeichen nutzen.
- Keine leistungsstarken Funkgeräte oder Mobiltelefone in der Nähe des Gerätes verwenden.
- Das Gerät hat ein Schutzkontaktstecker, der nur in Verbindung mit einer Schutzkontaktsteckdose genutzt werden darf.
- Wie bei allen industriell gefertigten Gütern kann die Verwendung von Stoffen, die Allergien hervorrufen können, wie z.B. Aluminium, nicht gänzlich ausgeschlossen werden. Sollten allergische Reaktionen (wie z.B. Hautausschlag, ständiges Niesen, gerötete Augen oder Atemwegsbeschwerden) auftreten, ist umgehend ein Arzt zur Ursachenklärung aufzusuchen.

Sollte einer der folgenden Punkte zutreffen, das Gerät spannungsfrei schalten und den Kundendienst kontaktieren!

- Netzkabel und/oder Verbindung ist/ sind beschädigt, spröde oder brüchig.
- Eintritt von Wasser.
- Gerät wurde Regen oder hoher Luftfeuchtigkeit ausgesetzt.
- Gerät funktioniert bei Einhaltung von Bedienungsanweisungen, die im Quick Manual stehen, nicht einwandfrei. Steuerelemente so einstellen wie im Quick Manual beschrieben, da eine falsche Einstellung das Gerät beschädigen könnte.
- Gerät ist heruntergefallen und dabei wurde das Gehäuse beschädigt.

Verwendungszweck

Sicherheit

Support

Transport

Betriebsgrenzen

Quick Start

Wartung

Entsorgung

Technische Daten

Konformitätserklärung

Support

Bei Fragen zu Ihren MA Produkten wenden Sie sich bitte an uns.

MA Lighting bietet mit dem angeschlossenen umfassenden Distributionsnetzwerk einen einmaligen technischen Support. Sollten wider Erwarten Probleme auftreten, stehen wir Ihnen mit unserem Know-how zur Seite, ganz gleich worum es sich handelt – Bedienung, Software-Features, Software-Installation oder Fehlerbeseitigung.

Offline Hilfe

Die Offline Hilfe ist in jedem Software Installer enthalten und wird automatisch in die Software geladen.

Zum Aufrufen der Hilfe die Tasten **Help** + **Please** drücken. Das Hilfe Fenster öffnet sich auf dem Hauptmonitor.

Um ein spezielles Hilfethema direkt anzuspringen, die Kontextsensitive Hilfe verwenden. Um das entsprechende Hilfethema zu öffnen:

- Taste **Help** drücken und halten und das gewünschte Bedienelement antippen.
- Das **?** in der Kontrollleiste und das gewünschte Bedienelement antippen.

Online Manuals

Alle Benutzerhandbücher der MA Produkte sind als Online-Versionen verfügbar. Einfach auswählen, für welches MA Produkt Sie eine Bedienungsanleitung benötigen. Gehe zu <https://www.malighting.com/de/training-support/online-manuals>.

Video Tutorials

Hier erhalten Sie Tipps und Tricks von unseren MA Experten für Ihr MA Produkt. MA Lighting bietet eine große Anzahl an Tutorial-Videos an, damit Sie Ihr MA Produkt bestmöglich nutzen können. Wählen Sie dafür einfach eine Serie aus und sehen Sie alle Videos dazu auf unserem YouTube Kanal. Gehe zu <https://www.malighting.com/de/training-support/video-tutorials>.

Community

Teilen Sie Ihr Wissen mit anderen MA Usern.

In der Gemeinschaft ist man effektiver. Werden Sie Mitglied der MA Community! Gehe zu <https://www.malighting.com/de/training-support/community>.

3

Verwendungszweck

Sicherheit

Support

Transport

Betriebsgrenzen

Quick Start

Wartung

Entsorgung

Technische Daten

Konformitätserklärung

3

Fixture Shares

Im MA Fixture Share befindet sich eine umfassende Bibliothek der unterschiedlichsten Fixture Typen für alle grandMA3, grandMA2 und dot2 Serien.

Im GTDF Share finden Sie eine umfassende Bibliothek aller verfügbaren GDTF Files mit allen relevanten Modi und Firmware Versionen. Diese Datenbank wird, wie das MA Fixture Share kontinuierlich aktualisiert.

Mehr Info unter <https://www.malighting.com/de/training-support/fixture-shares>.

Lokaler Support

Bei Fragen zu Ihren MA Lighting Produkten wenden Sie sich bitte als erstes an Ihre MA Produktspezialisten vor Ort.

Zentraler Support

Für weitere Hilfe oder Herstellerunterstützung schicken Sie uns bitte ein **ausgefülltes E-Mail-Formular** unter <https://www.malighting.com/de>, Training und Support. Diese Anfrage wird automatisch an support@malighting.com (in Englisch oder Deutsch) gesendet. Dieser E-Mail-Service ist während der regulären Geschäftszeiten von MA Lighting von 8.30 Uhr bis 17 Uhr von Montag bis Freitag erreichbar.

Notfall-Hotline

In show-kritischen Situationen nehmen Sie bitte Kontakt zur MA Lighting Support-Hotline auf.

Tel. +49 5251.68 88 65 99

Diese Hotline ist 24 Stunden am Tag und 7 Tage in der Woche besetzt. Sie ist nur für Notfälle.

Intellectual Property

MA Lighting Technology hat für seine Produkte zahlreiche Patente, Marken, Geschmacksmuster und Gebrauchsmuster angemeldet. Im Falle der Verletzung dieses geistigen Eigentums werden wir rechtliche Schritte einleiten. Mehr Info unter <https://www.malighting.com/de/intellectual-property>.

Verwendungszweck

Sicherheit

Support

Transport

Betriebsgrenzen

Quick Start

Wartung

Entsorgung

Technische Daten

Konformitätserklärung

Transport

- Den grandMA3 onPC fader wing während des Transports vor Umwelteinflüssen wie Erschütterungen und Vibrationen schützen.
- Alle Kabel vor dem Transport entfernen.
- Der Benutzer ist dafür verantwortlich, das Gerät beim Transport sicher zu befestigen und die Sicherheitshinweise des Herstellers zu beachten. Die Nichteinhaltung der Sicherheitshinweise kann zu Personen- oder Sachschäden führen.
- Den grandMA3 onPC fader wing nicht auf eine instabile Oberfläche stellen.
- Keine weiteren Gegenstände auf den grandMA3 onPC fader wing stellen.



Wichtig:

- Beim Transport die zulässigen Werte für Temperaturen und Luftfeuchte beachten. Für weitere Information, siehe **Betriebsgrenzen**.
- Nach dem Transport das Gerät auf Beschädigungen prüfen.
- Falls das Gerät beschädigt sein sollte (verbeult, verbogen oder kaputt), es nicht an die Stromversorgung anschließen!

3

Verwendungszweck

Sicherheit

Support

Transport

Betriebsgrenzen

Quick Start

Wartung

Entsorgung

Technische Daten

Konformitätserklärung

Betriebsgrenzen

Temperatur

Betrieb: 0 °C bis 40 °C / 32 °F bis 104 °F



Achtung:

Hohe Temperaturen können das Kühlsystem des Gerätes überfordern und zum Ausfall von elektrischen Komponenten führen.

Lagerung/Transport: -10 °C bis +50 °C / 14 °F bis 122 °F

Luftfeuchte

Betrieb: 20 % bis 90 % relative Luftfeuchte (nicht kondensierend)

Lagerung/Transport: 10 % bis 90 % relative Luftfeuchte (nicht kondensierend)

Umgebung

- Alle Sicherheitshinweise beachten.
- Das Gerät innerhalb der Betriebsgrenzen betreiben.
- Das Gerät nur in geschlossenen Räumen betreiben.
- Die Umgebungsluft muss staubfrei und frei von gefährlichen und explosiven Stoffen sein.
- Erschütterungen vermeiden.
- Das Gerät ist nicht gegen Spritzwasser geschützt. Nicht in der Nähe von Wasser betreiben.
- Das Gerät nicht bei Regen oder Nebel betreiben.
- Das Gerät nicht an einem Ort platzieren, an dem es mit korrosiven Gasen oder salzhaltiger Luft in Kontakt kommen könnte, da dies sonst Fehlfunktionen verursachen könnte.

3

Verwendungszweck

Sicherheit

Support

Transport

Betriebsgrenzen

Quick Start

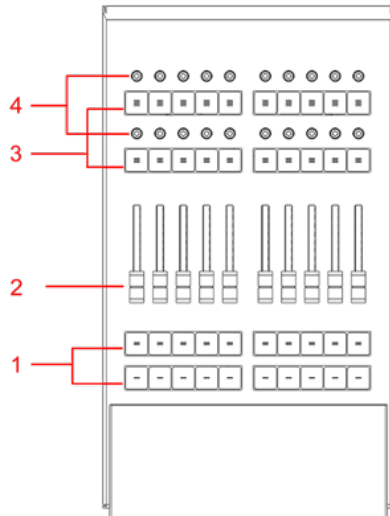
Wartung

Entsorgung

Technische Daten

Konformitätserklärung

Quick Start



grandMA3 onPC fader wing Vorderseite

1. Executor Buttons 101-190 + 201-290
2. Executor Fader 201-290
3. Executor Buttons 301-390 + 401-490
4. Rotierbare Executors 301-390 + 401-490

Für weitere Informationen über Executors siehe den Abschnitt **Executor elements** im **grandMA3 Online Benutzerhandbuch** unter www.malighting.com.

3

Verwendungszweck

Sicherheit

Support

Transport

Betriebsgrenzen

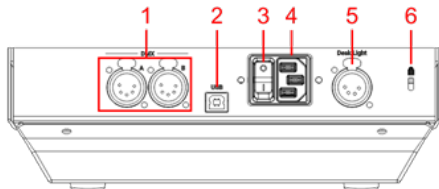
Quick Start

Wartung

Entsorgung

Technische Daten

Konformitätserklärung



grandMA3 onPC fader wing Rückseite

1. **DMX A+B**
2. **USB**
3. **Power switch**
4. **IEC connector**
5. **Desk light**
6. **Kensington-Schloss**

Das Gerät anschließen und einschalten

1. *Gerät auspacken.*
2. *Verpackungs- und Polstermaterial entfernen.*
3. *Gerät in einem geschlossenen Raum auf eine stabile Fläche stellen.*
4. *grandMA3 onPC Software auf www.malighting.com herunterladen.*
5. *Die Software auf PC oder Laptop installieren. Für Mindestanforderungen, siehe System Requirements im grandMA3 Online Benutzerhandbuch.*
6. *Den grandMA3 onPC fader wing über das USB-Kabel mit dem PC oder Laptop oder einem command wing XT verbinden.*
7. *Den command wing XT oder den PC oder Laptop einschalten.*
8. *Den grandMA3 onPC fader wing einschalten:*
 - IEC-Kaltgerätestecker mit der dafür vorgesehenen Buchse verbinden.
 - Netzstecker an die Steckdose anschließen.
 - Netzschalter auf I stellen.
 - Netzschalter leuchtet rot.

3

Verwendungszweck

Sicherheit

Support

Transport

Betriebsgrenzen

Quick Start

Wartung

Entsorgung

Technische Daten

Konformitätserklärung

3

grandMA3 onPC fader wing ausschalten

Um den grandMA3 onPC fader wing auszuschalten, Netzschalter auf **0** stellen.



Wichtig:

- Showdaten werden nur in der grandMA3 onPC Software gespeichert.
- Für Updates die grandMA3 onPC Software verwenden.



Wichtig:

Der grandMA3 onPC fader wing kann ebenfalls über die grandMA3 onPC Software deaktiviert werden. Der DMX-Ausgang wird dann abrupt unterbrochen.

Verwendungszweck

Sicherheit

Support

Transport

Betriebsgrenzen

Quick Start

Wartung

Entsorgung

Technische Daten

Konformitätserklärung

3

Kombinationsmöglichkeiten

Gerät	Verbunden mit	Parameter
grandMA3 onPC fader wing +	PC/Laptop	4 096
grandMA3 onPC fade wing +	PC/Laptop + grandMA3 onPC 8/4/2Port Node	4 096
grandMA3 onPC fader wing +	PC/Laptop + grandMA3 processing unit M/L/XL	4 096



Wichtig:

Unabhängig davon, welche Geräte an die grandMA3 onPC Software angeschlossen sind, kann die Parameteranzahl insgesamt maximal 4 096 betragen.

Weitere Information im **User Manual** unter **Expand the Amount of Parameters**.

Verwendungszweck

Sicherheit

Support

Transport

Betriebsgrenzen

Quick Start

Wartung

Entsorgung

Technische Daten

Konformitätserklärung

Wartung



Warnung:

Sämtliche Reparatur- und Wartungsarbeiten dürfen ausschließlich von geschultem Personal durchgeführt werden, da beim Öffnen von Abdeckungen spannungsführende Teile freigelegt werden können. Spannungsführende Teile nicht berühren, da die Gefahr von Stromschlag besteht!



Wichtig:

Die Wartungsintervalle variieren je nach Transportfrequenz und Betriebsumgebung.

- Vor dem Reinigen das Gerät spannungsfrei schalten.
- Die Oberflächen mit einem trockenen Tuch reinigen.
- Handauflage nur mit einem feuchtem Tuch reinigen.
- Keine flüssigen Reinigungsmittel oder Druckluft zum Reinigen verwenden.
- Kein Lösungsmittel verwenden.
- Je nach Umgebungsbedingungen empfehlen wir das Gerät alle 2 bis 5 Jahre durch einen Servicetechniker professionell reinigen zu lassen.

3

Verwendungszweck

Sicherheit

Support

Transport

Betriebsgrenzen

Quick Start

Wartung

Entsorgung

Technische Daten

Konformitätserklärung

Entsorgung

Das Gerät ist gemäß der Richtlinie 2011/65 EU (RoHS) der Europäischen Gemeinschaft hergestellt und muss dementsprechend entsorgt werden.

Falls das Gerät innerhalb der Europäischen Union betrieben wird, ist die WEEE 2012/19/EU zu beachten.

Falls das Gerät außerhalb der Europäischen Union betrieben wird, sind die nationalen Entsorgungsvorschriften im jeweiligen Land zu beachten.

3

Verwendungszweck

Sicherheit

Support

Transport

Betriebsgrenzen

Quick Start

Wartung

Entsorgung

Technische Daten

Konformitätserklärung

Technische Daten

3



Wichtig:

Ausreichend isolierte und geschützte Netzkabel verwenden (min. $\varnothing = 3 \times 1,0 \text{ mm}^2$).

Das Netzkabel muss den Standards des Landes entsprechen.

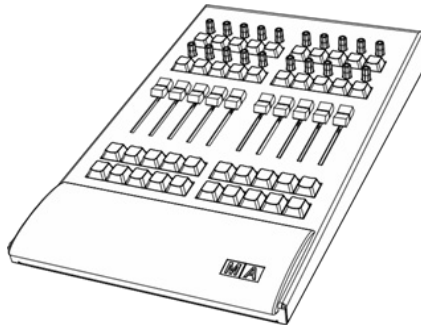
Arbeiten am Netzkabel dürfen ausschließlich von qualifiziertem Personal durchgeführt werden!



Wichtig:

Netzkabel und Steckverbinder sind im Lieferumfang nicht enthalten.

- DMX: Die maximale Kabellänge beträgt 350 m (unter idealen Bedingungen).



grandMA3 onPC fader wing Vorderseite

Verwendungszweck

Sicherheit

Support

Transport

Betriebsgrenzen

Quick Start

Wartung

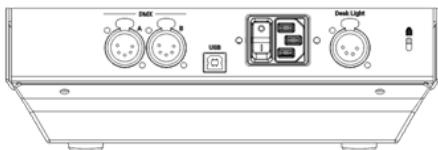
Entsorgung

Technische Daten

Konformitätserklärung

[Verwendungszweck](#)[Sicherheit](#)[Support](#)[Transport](#)[Betriebsgrenzen](#)[Quick Start](#)[Wartung](#)[Entsorgung](#)[Technische Daten](#)[Konformitätserklärung](#)**Technische Daten**

Parameter	4 096 (HTP/LTP)
Betriebsspannung	100-240 V AC, 50/60 Hz
Gewicht (ohne Verpackung)	5 kg / 11 lbs
Anschlussleistung	max. 50 VA
Maße	240 x 427 x 102 mm / 10 x 17 x 4 in

Steckverbinder grandMA3 onPC fader wing*grandMA3 onPC fader wing Rückseite*

Anzahl	Steckverbinder
1 x	RJ 45
1 x	USB 2.0 (Typ B)
2 x	DMX512-A OUT (5-polig XLR weiblich)
1 x	Kaltgeräteeinbaustecker
1 x	LED Pultleuchte (4-polig XLR weiblich)

Konformitätserklärung

CE und FCC Normen und Zulassungen

Hersteller:

MA Lighting Technology GmbH

Dachdeckerstraße 16
97297 Waldbüttelbrunn
Deutschland

erklärt, dass das Produkt

Produktname:

- grandMA3 onPC fader wing
-

den folgenden Richtlinien sowie harmonisierten Normen entspricht

Sicherheit:

2014/35/EU (Niederspannungsrichtlinie)

- IEC/EN/UL 62368-1:2014
 - CAN/CSA-C22. No. 62368-1:2014
-

EMV (elektromagnetische Verträglichkeit):

FCC

- 47 CFR, Part 15, Subpart B: 2019 (Class A)

2014/30/EU

- EN55032:2016-02 (Class A)

3

Verwendungszweck

Sicherheit

Support

Transport

Betriebsgrenzen

Quick Start

Wartung

Entsorgung

Technische Daten

Konformitätserklärung

- EN61000-3-2
- EN55035:2018-04

RoHS:

2011/65/EU (RoHS II)

- EN50581:2012
- WEEE-Reg.-NR. DE 14150988

Zusätzliche Informationen:

Alle Daten- und Signalleitungen müssen geschirmt sein und der Schirm muss mit der Masse bzw. dem Gehäuse des entsprechenden Steckers verbunden sein.

Waldbüttelbrunn, 28. Juli 2020

Dipl.-Ing. Michael Adenau (Geschäftsführer)



3

Verwendungszweck

Sicherheit

Support

Transport

Betriebsgrenzen

Quick Start

Wartung

Entsorgung

Technische Daten

Konformitätserklärung

Index

Usage Prévu	49
Sécurité	50
Support technique	56
Transport	58
Limitations	59
Guide De Démarrage	60
Entretien	63
Élimination	64
Données Techniques	65
Déclaration de conformité	67

3

Usage Prévu

Les fader wings grandMA3 onPC contrôlent tous genres de projecteurs tels que les projecteurs conventionnels, les motorisées, les LEDs, la vidéo et les média, en utilisant le signal DMX ou dans un environnement réseau.

Toutes les composantes grandMA3, malgré des solutions matérielles différentes, utilisent le même logiciel.

Tous les composants sont entièrement intégrables dans l'environnement du réseau.

Utilisez tous les composants et accessoires de grandMA3 uniquement dans des locaux fermés et dans les conditions environnementales autorisées. L'installation et le raccordement des appareils doivent être effectués explicitement par un personnel qualifié, en conformité avec toutes les règles de sécurité.

3

Usage Prévu

Sécurité

Support technique

Transport

Limitations

Guide De Démarrage

Entretien

Élimination

Données Techniques

Déclaration de conformité

Sécurité

Symboles et consignes de sécurité



Avertissement – Zone de danger



Attention – Risque de choc électrique

Risque de choc électrique

L'appareil ne doit être entretenu que par du personnel qualifié, des parties sous tension risquant d'être exposées lors de l'ouverture et / ou du retrait des couvercles.

Le contact avec des pièces sous tension peut provoquer un choc électrique.



3

Usage Prévu

Sécurité

Support technique

Transport

Limitations

Guide De Démarrage

Entretien

Élimination

Données Techniques

Déclaration de conformité



Éliminer comme déchets dangereux. Respecter la réglementation en vigueur. Pour plus d'informations, voir **Élimination**.



Déclaration de conformité. Pour plus d'informations, voir **Conformité**.



Tension de service Marche / Arrêt.



Avertissement :

L'appareil doit être mis à la terre.

Ne pas ignorer la fonction de sécurité d'une prise avec terre. Une prise avec terre a deux contacts électriques et un troisième contact de terre. Le troisième contact est prévu pour votre sécurité.

Lisez attentivement toutes les instructions de ce guide rapide, en particulier les **consignes générales de sécurité** et les **limitations d'usages**.

3

Usage Prévu

Sécurité

Support technique

Transport

Limitations

Guide De Démarrage

Entretien

Élimination

Données Techniques

Déclaration de conformité

Suivez les instructions et conservez ce guide rapide pour une utilisation ultérieure.

Respectez toutes les mises en garde et tous les avertissements mentionnés dans ce guide rapide et indiqués sur l'appareil.



Important :

Tous les travaux de réparation et d'entretien doivent être effectués exclusivement par des techniciens de service qualifiés.

- Cet appareil est à la pointe de la technologie ;
- Cependant, des risques résiduels ne peuvent être exclus ;
- Pour éviter les risques, suivez les consignes de sécurité ;
- Cet appareil est destiné uniquement à un usage professionnel et ne convient pas à un usage résidentiel.

MA Lighting Technology GmbH ne prend pas en charge d'éventuels dommages pouvant survenir en cas de non-respect des consignes de sécurité.



Avertissement :

Des changements ou des modifications à ces appareils non expressément approuvés par la partie responsable de la conformité pourraient annuler le droit de l'utilisateur de les utiliser.

.....
Usage Prévu

.....
Sécurité

.....
Support technique

.....
Transport

.....
Limitations

.....
Guide De Démarrage

.....
Entretien

.....
Élimination

.....
Données Techniques

.....
Déclaration de conformité

**Note :**

Ces appareils ont été testés et jugés conformes aux limites d'un appareil numérique de classe A, conformément à la partie 15 des règles de la FCC et aux normes CE. Ces limites sont conçues pour fournir une protection raisonnable contre de possibles interférences lorsque les appareils sont utilisés dans un environnement commercial. Ceux-ci génèrent, utilisent et peuvent émettre de l'énergie radiofréquence et, s'ils ne sont pas installés et utilisés conformément à ce guide rapide, peuvent éventuellement causer des interférences aux communications radio.

L'utilisation de ces appareils dans une zone résidentielle est susceptible de causer des interférences, auquel cas l'utilisateur devra corriger ces interférences à ses propres frais.

Dangers causés par le courant électrique

Un appareil ou un câble d'alimentation défectueux présente un risque de blessures graves ou mortelles dues à un choc électrique.

Suivez les consignes de sécurité pour éviter les risques liés au courant électrique.

- N'utilisez pas de câble d'alimentation défectueux ;
- Ne pas ouvrir les couvercles vissés de l'appareil ;
- N'utilisez l'appareil que s'il est dans un état technique impeccable ;
- Ne réparez pas l'appareil par vos propres moyens ;
- N'effectuez pas d'ingénierie inverse sur l'appareil et n'apporter aucune modification à ses composants et accessoires ;
- N'exposez pas l'appareil à la pluie ou à l'humidité ;
- Ne pas plonger l'appareil dans l'eau.

Usage Prévu

Sécurité

Support technique

Transport

Limitations

Guide De Démarrage

Entretien

Élimination

Données Techniques

Déclaration de conformité

Consignes de sécurité générales



Important :

La fiche de l'appareil et la fiche de la ligne d'alimentation servent de séparateur.

- Pour couper l'alimentation électrique, débranchez la fiche de l'appareil et / ou la fiche d'alimentation.

Pour éviter des blessures ou des dommages à l'appareil :

- Ne mettez pas vos mains à l'intérieur de l'appareil pendant le fonctionnement ;
- L'appareil et le câble d'alimentation doivent être tenus à l'écart des enfants de moins de 8 ans ;
- Les enfants ne sont pas autorisés à jouer avec l'appareil ;
- Débranchez l'alimentation électrique du réseau pendant les orages ;
- Débranchez l'alimentation électrique du réseau si l'appareil est laissé sans surveillance pendant une longue période ;
- Débranchez l'alimentation électrique avant de nettoyer l'appareil ;
- N'utilisez pas de nettoyeur liquide ou en aérosol. Utilisez uniquement un chiffon sec ;
- Ne pas utiliser l'appareil à proximité de l'eau ;
- Ne l'exposez pas à un environnement humide ;
- Ne versez aucun liquide sur l'appareil ;
- Ne bouchiez pas ou ne couvrez pas les trous de ventilation de l'appareil. Ceux-ci sont essentiels à la circulation de l'air à l'intérieur de l'appareil et protègent l'appareil contre la surchauffe ;
- N'insérez aucun objet dans les trous de ventilation de l'appareil car ceux-ci pourraient entrer en contact avec des pièces sous tension ou provoquer des courts-circuits, un incendie et / ou un choc électrique ;
- Ne placez aucun objet sur le câble d'alimentation. Protégez-le contre tout risque de piétinement ou de pincement, en particulier au niveau du connecteur et à l'endroit où les câbles sortent de l'appareil ;
- Lors de l'utilisation d'un câble de rallonge, assurez-vous que la puissance nominale de tous les appareils connectés en série ne dépasse pas la puissance nominale maximale du câble de rallonge ;
- Ne vous appuyez pas sur l'appareil ;
- Ne placez aucun objet lourd sur l'appareil ;

Usage Prévu

Sécurité

Support technique

Transport

Limitations

Guide De Démarrage

Entretien

Élimination

Données Techniques

Déclaration de conformité

3

- N'utilisez pas de force excessive sur les touches, les boutons, les potentiomètres, les interrupteurs, les connecteurs ou sur les écrans ;
- Si le câble d'alimentation ou la fiche d'alimentation principale sont défectueux, faites-les remplacer immédiatement par un technicien qualifié ;
- Placez l'appareil uniquement sur des surfaces stables. S'il est placé sur des surfaces instables, il peut tomber et se casser ;
- N'utilisez que des câbles d'alimentation homologués avec marquage ;
- N'utilisez pas de talkie-walkie puissant ou de téléphone portable à proximité de l'appareil ;
- L'appareil est équipé d'une fiche de sécurité. Cette fiche ne peut être utilisé qu'avec des prises de sécurité compatible ;
- Comme pour tous les produits fabriqués industriellement, l'utilisation de substances induisant une réaction allergique telle que l'aluminium ne peut généralement pas être exclue. Si vous développez une réaction allergique (éruption cutanée, éternuements fréquents, yeux rouges ou difficultés respiratoires), consultez immédiatement un médecin pour en déterminer la cause.

Si l'une des conditions suivantes se produit, débranchez la fiche d'alimentation principale et appelez votre distributeur local ou le support technique !

- Le câble d'alimentation ou la fiche principale est endommagé ou usé ;
- Pénétration de liquides ;
- L'appareil a été exposé à la pluie ou à une forte humidité ambiante ;
- L'appareil ne fonctionne pas correctement, même si vous avez suivi toutes les instructions de ce guide rapide. N'utilisez les commandes que comme indiquées dans le guide rapide. Des paramètres incorrects peuvent endommager l'appareil ;
- L'appareil est tombé et le boîtier est endommagé.

.....
Usage Prévu

.....
Sécurité

.....
Support technique

.....
Transport

.....
Limitations

.....
Guide De Démarrage

.....
Entretien

.....
Élimination

.....
Données Techniques

.....
Déclaration de conformité

Support technique

Contactez-nous pour toute question concernant votre produit MA.

MA Lighting et son vaste réseau de distributeurs offrent un support technique incomparable. Faites appel à notre expertise pour tout problème, qu'il s'agisse de fonctionnement, de fonctionnalités logicielles, d'installations logicielles ou de dépannage.

Pages d'aide

Les pages d'aide sont incluses dans chaque logiciel d'installation et sont automatiquement chargées dans le logiciel.

Pour accéder et lire les pages d'aide, appuyez sur **Help** + **Please**. La fenêtre contextuelle d'aide s'ouvre sur l'écran principal.

Pour accéder directement à une rubrique d'aide spéciale, utilisez l'aide contextuelle :

- Appuyez et maintenez enfoncé le bouton **Help** et touchez l'élément d'interface utilisateur (élément IU) souhaité pour ouvrir la rubrique d'aide correspondante.
- Tapez sur **?** dans la barre de contrôle et appuyez sur un élément de l'IU pour ouvrir le sujet d'aide correspondant.

Guides en ligne

Tous les guides relatifs aux produits MA sont disponibles en ligne. Choisissez simplement votre produit MA et cliquez sur le lien correspondant. Tous les autres documents sont disponibles dans notre espace de téléchargement. Visitez <https://www.malighting.com/training-support/online-manuals>.

Tutoriels vidéo

Obtenez des conseils et astuces de nos experts MA sur votre produit MA. MA vous propose toute une gamme de vidéos sur la meilleure façon d'utiliser votre produit MA. Sélectionnez simplement votre série et cliquez sur les liens pour regarder les vidéos sur notre chaîne YouTube. Visitez <https://www.malighting.com/training-support/video-tutorials>.

Communauté

Partagez vos connaissances et obtenez l'aide d'autres utilisateurs de MA.

Une communauté peut être plus forte et meilleure que l'individu. Faites partie de la communauté MA ! Visitez <https://www.malighting.com/training-support/community>.

3

Usage Prévu

Sécurité

Support technique

Transport

Limitations

Guide De Démarrage

Entretien

Élimination

Données Techniques

Déclaration de conformité

Fixture Shares

Dans notre MA Fixture Share, vous trouverez une base de données complète des différents types de luminaires pour grandMA3, grandMA2 et dot2.

Le partage GTDF contient une bibliothèque complète de tous les fichiers GTDF disponibles avec tous les modes et versions de micrologiciel pertinents. Tout comme MA Fixture Share, cette base de données est continuellement mise à jour. Pour plus d'informations, voir: <https://www.malighting.com/training-support/fixture-shares>

Support local

Si vous avez une question concernant votre produit MA Lighting, veuillez tout d'abord contacter votre spécialiste MA local.

Support central

Si vous avez besoin de plus d'aide ou d'assistance de la part du fabricant, veuillez remplir une demande par e-mail à [www.malighting.com](mailto:support@malighting.com) sous Training and Support. Votre demande sera automatiquement envoyée à support@malighting.com (en anglais ou en allemand). Ce service de messagerie électronique est surveillé pendant les heures d'ouverture habituelles de MA Lighting en Allemagne, de 8h30 à 17h, du lundi au vendredi.

Hotline d'urgence

En cas d'urgence, veuillez contacter le support technique de MA Lighting.

Téléphone +49 5251 68 88 65 99

Veuillez prendre note que cette ligne d'assistance 24 heures sur 24 et 7 jours sur 7 est strictement réservée aux cas d'urgence.

Propriété intellectuelle

MA Lighting Technology a déposé plusieurs brevets, marques de commerce, brevets de conception et modèles d'utilité pour ses produits. Nous intenterons une action en justice contre la violation de cette propriété intellectuelle. Pour plus d'informations, voir: <https://www.malighting.com/intellectual-property>

.....
Usage Prévu

.....
Sécurité

.....
Support technique

.....
Transport

.....
Limitations

.....
Guide De Démarrage

.....
Entretien

.....
Élimination

.....
Données Techniques

.....
Déclaration de conformité

Transport

- Les grandMA3 onPC fader wings doivent être protégés des influences environnementales telles que les chocs physiques et les vibrations pendant le transport ;
- Retirez tous les câbles avant le transport ;
- L'utilisateur est responsable de la sûreté de la fixation des produits pour le transport et du respect des consignes de sécurité du fabricant lors du transport de l'appareil ;
Le non-respect des consignes de sécurité peut entraîner des dommages corporels ou matériels ;
- Ne placez pas les grandMA3 onPC fader wings sur des surfaces instables ;
- Ne placez aucun objet sur les grandMA3 onPC fader wings.



Attention:

- Faites attention à la température et à l'humidité pendant le transport. Pour plus d'informations, voir **Limitations d'usage**.
- Après le transport, vérifiez l'appareil.
- Si l'appareil ou son écran est endommagé (cabossé, tordu ou cassé), ne connectez pas le grandMA3 onPC fader wing au réseau électrique !

3

Usage Prévu

Sécurité

Support technique

Transport

Limitations

Guide De Démarrage

Entretien

Élimination

Données Techniques

Déclaration de conformité

Limitations

Température

Fonctionnement : 0 °C jusqu'à 40 °C / 32 °F jusqu'à 104 °F



Attention :

Des températures plus élevées peuvent solliciter le système de refroidissement de l'appareil et détruire des composants matériels.

Stockage / Transport : -10 °C jusqu'à +50 °C / 14 °F jusqu'à 122 °F

Humidité

Fonctionnement : 20 % jusqu'à 90 % d'humidité relative (sans condensation)

Stockage / Transport : 10 % jusqu'à 90 % d'humidité relative (sans condensation)

Environnement

- Suivez toutes les consignes de sécurité ;
- N'utilisez l'appareil que dans ses limites de fonctionnement ;
- N'utilisez l'appareil qu'à l'intérieur ;
- L'air doit être dépourvu de poussière et de toute substance dangereuse ou explosive ;
- Évitez les secousses ;
- Cet appareil n'est pas protégé contre les éclaboussures d'eau. Ne l'utilisez pas à proximité de l'eau ;
- N'utilisez pas l'appareil sous la pluie ou l'humidité ;
- Ne placez pas l'appareil à un endroit où il peut entrer en contact avec des gaz corrosifs ou de l'air salin car cela peut provoquer un mauvais fonctionnement.

3

Usage Prévu

Sécurité

Support technique

Transport

Limitations

Guide De Démarrage

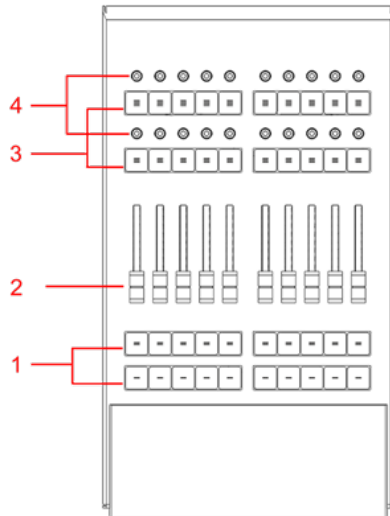
Entretien

Élimination

Données Techniques

Déclaration de conformité

Guide De Démarrage



1. Executor boutons 101-190 + 201-290
2. Executor faders 201-290
3. Executor boutons 301-390 + 401-490
4. Executor rotatifs 301-390 + 401-490

Pour plus d'information, voir la section **Executor elements** dans le **Mode d'emploi**.

Branchement et mise sous tension de l'appareil

1. Déballer l'appareil.
2. Enlever l'emballage et le matériel de protection.
3. Installer l'appareil à l'intérieur sur une surface stable.
4. Télécharger le logiciel de la grandMA3 onPC à www.malighting.com

3

Usage Prévu

Sécurité

Support technique

Transport

Limitations

Guide De Démarrage

Entretien

Élimination

Données Techniques

Déclaration de conformité

5. Installer le logiciel sur votre PC ou laptop. Pour connaître le minimum requis pour votre système, voir **System Requirements** dans le manuel utilisateur de la grandMA3
6. Brancher la grandMA3 onPC fader wing à votre command wing XT, PC ou laptop en utilisant un câble USB.
7. Démarrer la command wing XT. le PC ou le laptop.
8. Allumer la fader wing grandMA3 onPC:
 - Insérer le connecteur IEC dans le jack correspondant.
 - Brancher à une prise de courant.
 - Allumer le commutateur:
 - Mettre en position position **I**.
 - Le commutateur s'élumine en rouge.

Éteindre la grandMA3 fader wing onPC

Pour éteindre la fader wing grandMA3 onPC, mettre le commutateur en position **0**.



Important:

- Les données de l'émission sont uniquement enregistrées dans le logiciel grandMA3 onPC.
- Pour les mises à jour, utilisez le logiciel grandMA3 onPC.



Important:

Vous pouvez déconnecter l'aile du fader grandMA3 onPC en utilisant le logiciel grandMA3 onPC. La sortie DMX sera alors immédiatement interrompue.

Usage Prévu

Sécurité

Support technique

Transport

Limitations

Guide De Démarrage

Entretien

Élimination

Données Techniques

Déclaration de conformité

3

Différentes Combinaisons

Appareil	Connecté à	Paramètres
grandMA3 onPC fader wing +	PC/laptop	4 096
grandMA3 onPC fader wing +	PC/laptop + grandMA3 onPC 8/4/2Port Node	4 096
grandMA3 onPC fader wing +	PC/laptop + grandMa3 processing unit M/L/XL	4 096



Important:

Indépendamment des appareils connectés au logiciel grandMA3 onPC, le nombre de paramètres ne peut atteindre qu'un maximum de 4 096.

Pour plus d'information voir: **Expand the amount of parameters topic.**

Usage Prévu

Sécurité

Support technique

Transport

Limitations

Guide De Démarrage

Entretien

Élimination

Données Techniques

Déclaration de conformité

Entretien

**Avertissement:**

les travaux de réparation et d'entretien doivent être effectués exclusivement par des techniciens qualifiés, car les pièces sous tension peuvent être exposées lors de l'ouverture et/ou du retrait des couvercles. Le contact avec des pièces sous tension peut provoquer un choc électrique.

**Important:**

Les intervalles entre les entretiens peuvent varier en fonction de la fréquence des transports et de l'environnement opérationnel.

- Débranchez l'alimentation électrique avant le nettoyage;
- Nettoyez la surface à l'aide d'un chiffon sec uniquement;
- Nettoyez le repose-poignet à l'aide d'un chiffon humide uniquement;
- N'utilisez pas de nettoyant liquide ou d'air comprimé;
- N'utilisez pas de solvant;
- Vérifiez si les orifices de ventilation sont obstrués;
- En fonction de l'environnement, nous recommandons de nettoyer l'appareil professionnellement une fois par an.

3

Usage Prévu

Sécurité

Support technique

Transport

Limitations

Guide De Démarrage

Entretien

Élimination

Données Techniques

Déclaration de conformité

Élimination

Selon la directive 2011/65 UE (RoHS), l'appareil a été fabriqué dans l'Union européenne et doit donc être éliminé conformément à la directive.

Si l'appareil est utilisé dans l'Union européenne, suivre la directive WEEE 2012/19/EU.

Si l'appareil est utilisé en dehors de l'Union européenne, les règlements d'élimination des déchets du pays correspondant s'appliquent.

3

Usage Prévu

Sécurité

Support technique

Transport

Limitations

Guide De Démarrage

Entretien

Élimination

Données Techniques

Déclaration de conformité

Données Techniques

3



Important:

Utiliser des câbles protégés adéquatement (min. $\varnothing = 3 \times 1.0 \text{ mm}^2$).

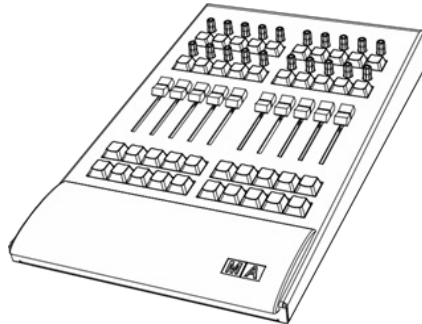
Le câble de courant requis pour le branchement doit être conforme au standard du pays.

Seul une personne qualifiée est autorisée à travailler sur le câble de courant!



Le câble d'alimentation et le connecteur ne sont pas inclus dans la livraison.

- DMX: la longueur maximale du câble ne doit pas excéder 350 m (dans des conditions idéal).



grandMA3 onPC fader wing panneau avant

.....
Usage Prévu

.....
Sécurité

.....
Support technique

.....
Transport

.....
Limitations

.....
Guide De Démarrage

.....
Entretien

.....
Élimination

.....
Données Techniques

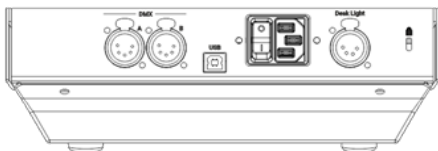
.....
Déclaration de conformité

3

Données Techniques

Paramètres	4 096 (HTP/LTP)
Tension de fonctionnement	100-240 V AC, 50/60 Hz
Poids net	5 kg / 11 lbs
Puissance	max. 50 VA
Dimensions	240 x 427 x 102 mm / 10 x 17 x 4 po

Sorties grandMA3 onPC fader wing



grandMA3 onPC fader wing panneau arrière

Nombres	Connecteur
1 x	USB 2.0 (type B)
2 x	DMX512-A OUT (5pin XLR female)
1 x	IEC connecteur
1 x	Lumière d'appoint DEL (4pin XLR female)

Usage Prévu

Sécurité

Support technique

Transport

Limitations

Guide De Démarrage

Entretien

Élimination

Données Techniques

Déclaration de conformité

Déclaration de conformité

Normes et approbations CE et FCC

Fabricant :

MA Lighting Technology GmbH

Dachdeckerstraße 16
97297 Waldbüttelbrunn
ALLEMAGNE

déclare que les produits

Nom du produit:

- grandMA3 onPC fader wing
-

sont conformes aux directives et normes harmonisées suivantes

Sécurité :

2014/35/UE (Directive Basse Tension)

- IEC/EN/UL 62368-1:2014
 - CAN/CSA-C22. No. 62368-1:2014
-

CEM - Compatibilité électromagnétique :

FCC

- 47 CFR, Part 15, Subpart B: 2019 (Class A)

2014/30/UE

- EN55032:2016-02 (Class A)

3

.....
Usage Prévu

.....
Sécurité

.....
Support technique

.....
Transport

.....
Limitations

.....
Guide De Démarrage

.....
Entretien

.....
Élimination

.....
Données Techniques

.....
Déclaration de conformité

- EN61000-3-2
- EN55035:2018-04

RoHS:

2011/65/UE (RoHS II)

- EN50581:2012
- WEEE-Reg.-NR. DE 14150988

Informations complémentaires :

Toutes les lignes de données et de signaux doivent être blindées et le blindage doit être relié à la terre ou au boîtier du connecteur.

Waldbüttelbrunn, 28 juillet 2019

Dipl.-Ing. Michael Adenau (CEO)



3

Usage Prévu

Sécurité

Support technique

Transport

Limitations

Guide De Démarrage

Entretien

Élimination

Données Techniques

Déclaration de conformité

3

The information contained in this booklet were correct at time of printing. By continuing our company's efforts to optimize our products, it may happen that information is outdated, at the time you read this booklet.

Without having any written permission from MA Lighting Technology GmbH it is not allowed to copy, reproduce or publish any part of this booklet, neither in printed form nor by photos or electronic media.

All technical specifications are subject to change without notification.

We do not assume liability for any incorrect information in this booklet.

Die in diesem Booklet enthaltenen Angaben waren zum Zeitpunkt der Drucklegung korrekt. Durch die fortlaufenden Bemühungen unseres Unternehmens, unsere Produkte ständig zu optimieren, kann es vorkommen, dass Angaben überholt sind, wenn Sie dieses Booklet lesen.

Vervielfältigung oder Veröffentlichung dieses Booklets, auch teilweise, sind in jeglicher Form nur mit schriftlicher Genehmigung durch MA Lighting Technology GmbH erlaubt.

Änderungen sind ohne vorherige Ankündigungen möglich.

Wie übernehmen keine Haftung bei Fehlern oder Ungenauigkeiten in diesem Booklet.

Les informations contenues dans cette brochure étaient correctes au moment de l'impression.

En poursuivant les efforts de notre entreprise pour optimiser nos produits, il peut arriver que les informations soient dépassées, au moment où vous lisez cette brochure.

Sans autorisation écrite de MA Lighting Technology GmbH, il est interdit de copier, reproduire ou publier toute partie de cette brochure, que ce soit sous forme imprimée, photographique ou électronique.

Toutes les spécifications techniques sont susceptibles d'être modifiées sans préavis.

Nous déclinons toute responsabilité en cas d'informations erronées dans cette brochure.



MA Lighting International GmbH

An der Talle 24 - 28

33102 Paderborn - Germany

Phone: +49 52 51 68 88 65 10

info@malighting.com

www.malighting.com

© MA Lighting International

Art.No. 1553M00000, Revision 2022_v04